



Product card User manual

ML Furniture Safes ML Deposit Drop Safes Grade S1

KONSMETAL Export Department
export@konsmetal.pl

KONSMETAL Service
phone: **+48 89 6253799** (Monday – Friday: 8-16)
e-mail: **serwis@konsmetal.pl**

Contents

Application	3
Certificates for storing	3
Product description.....	4
Basic equipment.....	4
Additional equipment	4
Types of locks	5
Standard colours.....	5
Specifications.....	5
Operation - opening	7
Operation - closing	8
Installation of shelves	8
Replacement of the electronic lock's battery	9
Use	9
Maintenance	10
Adjustment of hinges	10
Most common problems and remedies	11
Contact details to the KONSMETAL Service.....	12

ML Furniture Safes, grade S1



Application

For home and office use. ML Furniture Safes are suitable for storing documents, jewelry, firearms, ammunition and related accessories, as well as other important valuables.

ML Furniture Safes are designed for installation in furniture and may also be used as freestanding safes having been fixed to the floor.

Certificates for storing

- Valuables in accordance with the EN 14450 standard, grade S1.

Warning! In order to keep the product's resistance grade safe or cabinet weighing up to 1 000 kg must be anchored to the ground according to the user manual.

Important – read before operating the safe

- ! Please read this user manual and follow its provisions.
- ! If the device is equipped with a combination or/and electronic lock ALWAYS remember to change a default code on its own, unknown to third parties, BEFORE using the device. Leaving default code is a threat to the security of deposited values.
- ! Changing the code and test of the new code in the combination or electronic lock MUST be done on the open door of the safe. By changing the code on closed door you run the risk of the need for their emergency opening.
- ! If the safe is equipped with a handle or knob to move the bolts, opening or closing the door should be done ONLY by holding the handle or knob to move the bolts. Opening or closing the safe door by pulling on the key, combination lock knob or electronic lock keypad can result in product damages, which are not subject to warranty.

ML Furniture Safes, grade S1

- ! Before closing the safe door you MUST check if the bolts are maximally retracted. Extended bolts while closing the safe door can damage the paint coat at the place of bolts impact on the edge of the door opening. Such damage is not considered as a basis for warranty repair.
 - ! At the end of this user manual you will find information how to conduct the most common problems.
-

Product description

- > Small weight enables installation in virtually any room or piece of furniture.
 - > Minimalist, elegant design makes it easy to integrate the Safe in interiors of any style.
 - > Body made from steel, # 3 mm thick; single – layered construction ensuring high resistance to attack.
 - > Door panel with thickness of 5 mm.
 - > Strong protection of bolting system with locks.
 - > Equipped with a handle.
 - > Internal hinges, door opening angle: 90°.
 - > Door bolting by means of moving bolts (horizontal and vertical bolts), diameter Ø 20 mm.
 - > Additional lock protection against drilling.
 - > Suitable for floor mounting.
 - > 24-month guarantee.
-

Basic equipment

- > A-grade key lock with two keys;
 - > Shelves (depending on model); maximum shelf load: 50 kg;
 - > Mounting holes: Ø 12 mm.
 - > Product card and user manual (this document) with guarantee card.
-

Additional equipment

- > Replacement of the key lock with a combination or electronic lock.
 - > Additional lock: key, combination, electronic (ML100).
 - > Third key to the key lock;
 - > Separately lockable drop deposit drawer and a drop deposit slot.
 - > Separately lockable internal box.
 - > Additional shelves.
 - > Mounting anchors.
 - > Protective sealing.
 - > Alarm installation output.
 - > Time delay and silent alarm of the electronic lock.
 - > Shock sensors.
-

ML Furniture Safes, grade S1

- Bolts position sensors.
- Handgun holders (except for deposit drop models):
 - ML 45, ML 67 – 5 pcs. of firearms
 - ML 100 – 6 pcs. of firearms

Types of locks



key



combination



electronic

Standard colours

- Light grey RAL 7035.
- Light grey RAL 9002.
- Black RAL 9005.

* Customizable to all RAL colours on request (powder coat).

Specifications

Model	External dimensions [mm]			Internal dimensions [mm]			Weight [kg]	Capacity [l]
	H	W	D	H	W	D		
ML 45	450	400	440	442	380	350	41	60
ML 67	670	400	440	662	380	350	56	90
ML 100	1000	490	440	992	470	350	84	166

Model	Door clearance [mm]	
	H	W
ML 45	358	250
ML 67	578	250
ML 100	908	340

ML Furniture Safes, grade S1

Model	Standard number of shelves [pcs.]	Internal box*	Combination of two locks*
ML 45, ML 67	1	NO	NO
ML 100	2	YES	YES

* Can be used as additional equipment.

Model wrzutu	Maximum dimensions of package dropped [mm]		
	Height	Width	Depth
Drop slot	38	170	-
Drop drawer	25	174	105

Drop slot with A-grade key lock, can be mounted on the side or back of the safe.
Drop drawer with A-grade key lock can be mounted on the front, side or back of the safe.

Installation

Safes can be mounted to the floor by means of two (Fig.1).

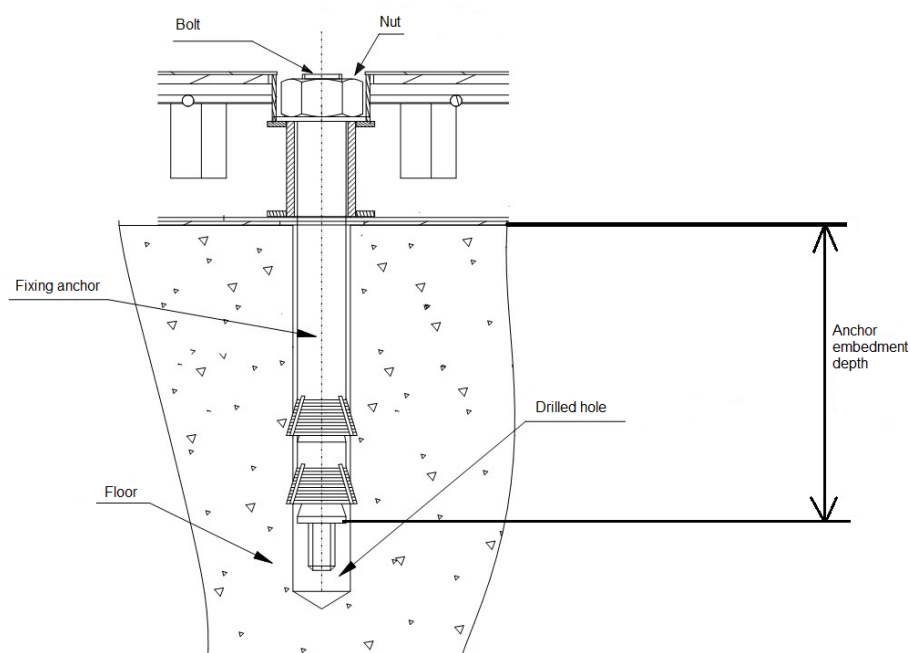


Fig. 1

ML Furniture Safes, grade S1

Embedment depth of the anchor min. 65 mm
Concrete min. C16/20

➤ In order to mount the safe to the floor:

1. Position the safe at its destination.
2. Drill holes in the floor through the holes in the product to a depth matching the length of the expansion fastener.
3. Position the safe so that the holes in the bottom of the safe and the holes in the floor overlap.
4. Insert the anchor and tighten the nut. In the event where, after tightening the nut, the bolt of the expansion fastener protrudes above the inside bottom of the safe, loosen the nut and then screw the bolt in with a driver and tighten the nut.

➤ In the event where the safe is too small to drill the holes through the holes in the safe (the drill does not fit inside the safe e.g. due to the built-in boxes):

1. Measure the spacing between the holes in the safe.
2. Mark the location of holes on the floor.
3. Drill holes in the floor to the depth matching the length of the expansion fastener.
4. Position the safe so that the holes in the bottom of the safe and the holes in the floor overlap.
5. Insert the anchor and tighten the nut. In the event where, after tightening the nut, the bolt of the expansion fastener protrudes above the inside bottom of the safe, loosen the nut and then screw the bolt in with a driver and tighten the nut.

Operation - opening

➤ Opening of a safe fitted with a key lock only:

1. Insert the key into the lock hole.
2. Turn the key by over 90° (over 1/4 of a turn) clockwise, resistance indicates that the lock is open, the key must remain in the lock (the key lock design prevents the key from being removed when the lock is in open position).
3. Turn the handle clockwise.
4. Pulling the door opens the safe.

➤ Opening of safes fitted with combination or electronic lock:

1. Open the combination/ electronic lock following the steps described in the enclosed lock's operation manual.
2. Turn the handle clockwise.
3. Pulling the door opens the safe.

➤ Opening of safes fitted with key and combination lock or electronic lock:

1. Insert the key into the lock hole.
2. Turn the key by over 90° (over 1/4 of a turn) clockwise, resistance indicates that the lock is open, the key must remain in the lock (the key lock design prevents the key from being removed when the lock is in open position).
3. Open the combination/ electronic lock following the steps described in the enclosed lock's operation manual.
4. Turn the handle clockwise.
5. Pulling the door opens the safe.

➤ Opening of safes fitted with two key locks:

1. Insert the key into the first lock hole.
2. Turn the key by over 90° (over 1/4 of a turn) clockwise, resistance indicates that the lock is open, the key must remain in the lock (the key lock design prevents the key from being removed when the lock is in open position).
3. Open the second lock proceeding as above.
4. Turn the handle clockwise.
5. Pulling the door opens the safe.

Operation - closing

> Closing of a safe fitted with a key lock only:

1. Close the door by pressing it against the body (door bolts must be concealed).
2. Turn the handle anti-clockwise.
3. Turn the key by over 90° (over 1/4 of a turn) anticlockwise, resistance indicates that the safe is locked.
4. Remove the key.

> Closing of safes fitted with a combination or electronic lock only:

1. Close the door by pressing it against the body (door bolts must be concealed).
2. Turn the handle anti-clockwise.
3. Close the combination/ electronic lock following the steps described in the enclosed lock's operation manual, the safe is closed.

> Closing of safes fitted with key and combination lock or electronic lock:

1. Close the door by pressing it against the body (door bolts must be concealed).
2. Turn the handle anti-clockwise.
3. Turn the key by over 90° (over 1/4 of a turn) anticlockwise, resistance indicates that the safe is locked.
4. Close the combination/ electronic lock following the steps described in the enclosed lock's operation manual, the safe is closed.

> Closing of safes fitted with two key locks:

1. Close the door by pressing it against the body (door bolts must be concealed).
2. Turn the handle anti-clockwise.
3. Turn the key by over 90° (over 1/4 of a turn) anticlockwise, resistance indicates that the safe is locked.
4. Close the second lock proceeding as above.

Installation of shelves

Safes are delivered with shelves packed separately and placed on the safe's bottom. After unwrapping the shelves, the shelf clips (in a bag) are located in the corresponding perforations in the battens (fig.2). Place the shelves on the clips. The location of the shelves depends on the needs of the user and can be adjusted.

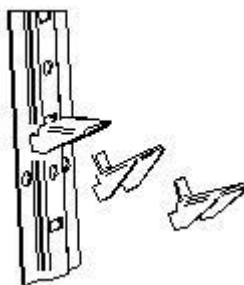


Fig. 2. Installation of shelf clips

Replacement of the electronic lock's battery

Note:

Replacement of the battery does not require guarantee seals to be broken.

One 9V battery is required for the replacement.

Follow the instructions below in order to replace the battery.

1. The location of the battery depends on the type of installed lock. Most often battery is located on the internal side of the safe door (in a suitable battery container) or external part of the lock (lock keyboard).
2. If the battery is located in an external lock keyboard:
 - a. Open the safe.
 - b. Remove the black cover of the battery compartment located on the inside of the safe door.
 - c. Replace the battery noting the polarity - the markings "+" and "-".
 - d. **Check correct operation of the lock while the safe door is open** (open and extend bolts several times).
 - e. If the lock operates correctly, replace the battery compartment cover and close the safe.
3. If the battery is inside the safe (most often on internal side of the safe door):
 - a. Open the safe.
 - b. Remove the black cover of the battery compartment located on the inside of the safe door.
 - c. Replace the battery noting the polarity - the markings "+" and "-".
 - d. **Check correct operation of the lock while the safe door is open** (open and extend bolts several times).
 - e. If the lock operates correctly, replace the battery compartment cover and close the safe.
4. If the battery is located on the internal side of the safe door and the lock cannot be opened, as well as the safe door are closed:
 - a. Check whether the lock keypad has special contact pins to applicate additional battery and emergency lock opening.
 - b. Replace the battery noting the polarity - the markings "+" and "-".
 - c. Hold the whole time additional battery with the contact pins, open the lock with normal code and then unlock the safe door.
 - d. After unlocking the safe door additional battery can be detached and the old battery can be replaced as described above.

Warning: Make sure that the ends of the battery with positive and negative polarity are matched correctly, as marked in the battery compartment. If the battery is installed incorrectly, running the lock will not be possible.

There are locks supplied more than one battery, in such cases, replace all the batteries at the same time. Do not mix old and new batteries or mix batteries of different types (for example, alkaline and lithium batteries). Batteries should not be opened, punctured, loaded, installed, or exposed to fire, heat or water. It is recommended to only use alkaline or lithium batteries of known brands.

Use

- The product should be used in rooms protected against weather elements and away from substances corrosive to metals. Relative humidity in the room up to 75%. The device can be operated in rooms with temperature within the range of +5°C – +40°C.

ML Furniture Safes, grade S1

- When closing or opening the product, attention should be paid to moving parts e.g.: drawer, door. Improper use may lead to injuries e.g.: of fingers should they remain between the drawer and the body or between the door and the body.
- Pay attention to the position of bolts when closing the door. The bolts must unconditionally be concealed, otherwise the mechanisms may be permanently damaged.
- The installed locks and mechanisms may not be modified under pain of voiding the guarantee.
- Installation of locks and mechanisms during the guarantee period may be done by an authorized service or a user holding a written approval of the service.
- Should it be necessary to change the keys, it is recommended to replace the entire lock.
- Pay attention to foundation of the safe so that the door does not directly hit obstacles.
- Bolting mechanisms and locks should operate smoothly and without jamming. In the event of any reservations about operation of the said subassemblies, they ought to be reported to the KONSMETAL service.
- In the event of any reservations about the delivered product, they ought to be reported to the KONSMETAL service.
- It is not recommended to make modifications without the manufacturer's knowledge even after the guarantee period has expired.

Maintenance

- **Door:**

It is recommended to lubricate the hinges as necessary, however, no less frequently than once every three years using bearing grease. All the friction couplings and joints of mechanisms ought to be lubricated with technical acid-free petroleum jelly once every three years.

- **Body:**

In principle, the body does not require any special maintenance. Basic maintenance involves cleaning of the body housing. In order to do so, use a soft cloth dampened with mild detergent and then wipe the cleaned surface dry.

Adjustment of hinges

ML Furniture Safes have internal hinges, so their adjustment is possible when the door is opened. To make an adjustment you need two hex keys of size 3 and 5.

ML Furniture Safes, grade S1

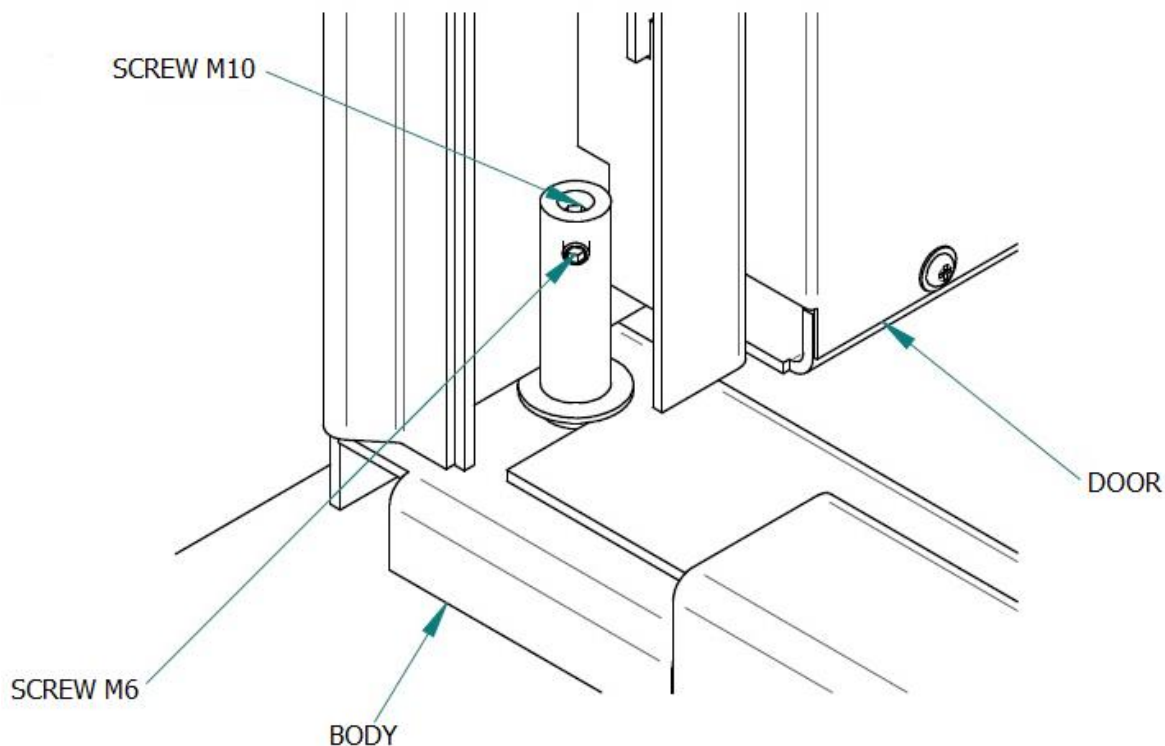


Fig. 3 Internal hinge (view from the inside of the safe)

> Adjustment of hinges is performed as follows:

1. Using hex key No. 3 loosen the screw M6 in the upper and lower hinge of the safe.
2. Using hex key No. 5 loosen the screw M10 in the upper hinge.
3. Height adjustment of the door is done using M10 screw of the lower hinge.
 - a. While tightening the screw M10 door are lifting.
 - b. While unscrewing M10 door are falling.
4. After setting the correct doorheight with the screw M10 of the lower hinge, tighten the screw M10 of the upper hinge, but not too tight (the door move freely).
5. At the end, tighten the screws M6 of both hinges to prevent twisting of the screws M10.

Adjustments is performed so that the slots on the top and bottom of the door were equal (control on half closed door of the safe). In case of problems, please contact the Service.

Most common problems and remedies

- 1. Key or combination lock does not close:**
 - a. Make sure bolts blocking the door opening are extended. If after their maximum ejection lock does not close, please contact the Service.
- 2. Combination lock cannot be opened despite selecting the correct code:**
 - a. Make sure the other person has not changed the code.
 - b. Make sure that the base of the lock knob with the code set marker does not come loose and the marker is not moved aside from its original position – if so, try to set code in different positions of the marker and then contact the Service to improve the fixing base.
- 3. Electronic lock works differently than usual – sounds are different and/or diode blinks:**
 - a. Check the manual of the lock whether lock signals low battery – if so, replace the battery immediately with a new one according to the lock manual.

ML Furniture Safes, grade S1

- b. Make sure that it is not related to entering the wrong code. Detailed information on the unusual situation signaling by the relevant model of the lock can be found in the lock manual.
WARNING! Triple attempt of entering the wrong code moves the lock into 'punishment' mode which means that the lock will not accept any code for a certain time. To open the lock you must wait for a certain time defined for that lock and then enter the correct code. Details are given in the lock manual.

4. Electronic lock makes no sound or does not open:

- a. Replace the battery or connect a new battery with the emergency power supply contact pins (depending on the model of the lock – see the lock manual) and then try to open the lock. If the lock still does not open please contact the Service.

Contact details to the KONSMETAL Service

phone: **+48 89 625 37 99** (Monday – Friday: 8-16)

e-mail: **serwis@konsmetal.pl**

When contacting the Service keep prepared the following data (if possible):

- Device model
- Purchase date
- Serial number (from the nameplate located inside the device)

In order to verify whether the product is under warranty in most cases it is sufficient to give the serial number from the nameplate. Sometimes you will need proof of purchase or warranty card with purchase date and vendor's stamp.