



Product card User manual

MLB Gun Safes Grade S1

KONSMETAL Export Department
export@konsmetal.pl

KONSMETAL Service
phone: **+48 89 6253799** (Monday – Friday: 8-16)
e-mail: **serwis@konsmetal.pl**

Contents

Application	3
Certificates for storing	3
Important – read before operating the safe	3
Product description.....	4
Basic equipment.....	4
Additional equipment	5
Types of locks	5
Standard colours.....	5
Specifications.....	5
Installation.....	6
Operation - opening	7
Operation - closing	8
Installation of shelves	9
Replacement of the electronic lock's battery	9
Use.....	10
Maintenance	10
Adjustment of hinges	11
Most common problems and remedies	11
Contact details to the KONSMETAL Service.....	12



Product may visually differ from the one presented on the picture.

Application

MLB Gun Safes are designed for storage of all types of firearms and related accessories. For embedding in furniture items and installation in furniture recesses. However, they are also perfectly fit for free-standing applications. Single-layered steel structure of the body and door, built of solid steel, guarantee improved resistance to breaking. 24 - month warranty.

Certificates for storing

- Valuables in accordance with the EN 14450 standard, grade S1.

Important – read before operating the safe

- ! Please read this user manual and follow its provisions.
- ! If the device is equipped with a combination or/and electronic lock ALWAYS remember to change a default code on its own, unknown to third parties, BEFORE using the device. Leaving default code is a threat to the security of deposited values.

MLB Gun Safes, grade S1

- ! Changing the code and test of the new code in the combination or electronic lock MUST be done on the open door of the safe. By changing the code on closed door you run the risk of the need for their emergency opening.
- ! If the safe is equipped with a handle or knob to move the bolts, opening or closing the door should be done ONLY by holding the handle or knob to move the bolts. Opening or closing the safe door by pulling on the key, combination lock knob or electronic lock keypad can result in product damages, which are not subject to warranty.
- ! Before closing the safe door you MUST check if the bolts are maximally retracted. Extended bolts while closing the safe door can damage the paint coat at the place of bolts impact on the edge of the door opening. Such damage is not considered as a basis for warranty repair.
- ! At the end of this user manual you will find information how to conduct the most common problems.

Product description

- > MLB Gun Safes are mainly used to store long guns and related accessories. Equipped with ammunition containers and cleaning rod holders, as well as:
 - o MLB 150P/5 – 5 gun holders, upper shelf,
 - o MLB 150P/6 – 6 gun holders, upper shelf,
 - o MLB 150S/6 – 6 gun holders, a separately lockable internal shelf,
 - o MLB 150P/10 – 10 gun holders, upper shelf,
 - o MLB 150S/10 – 10 gun holders, a separately lockable internal shelf,
 - o MLB150D/6 – 6 gun holders, a separately lockable internal shelf, a special shelf arrangement and 4 accessory containers on the door,
 - o MLB 150S/14 – 14 gun holders, a separately lockable internal shelf,
 - o MLB 150D/10 – 10 gun holders, a separately lockable internal shelf, a special shelf arrangement i 4 accessory containers on the door,
- > Solid steel body (#3mm).; Single-armor construction ensuring high resistance to attack.
- > Front door panel made from 3 mm sheet metal.
- > Strong cover of the bolting mechanism fitted with locks.
- > Interior hinging system. Door opening angle 90⁰.
- > Door bolting by means of moving bolts.
- > Suitable for floor mounting.
- > 24-month warranty.

Basic equipment

- > A -grade key lock with two keys;
- > 2 keys to the key lock;
- > Anchoring: 2 perforations in the safe's bottom Ø 12mm;
- > user manual with guarantee card.

MLB Gun Safes, grade S1

Additional equipment

- Key lock replacement with a combination or electronic lock;
- Combination of two selected locks;
- Time delay and silent alarm of the Combogard lock;
- Third key to the key lock;
- Alarm system output;
- Bolts and door position sensors;
- Anchors.

Types of locks



key

combination

electronic

Standard colours

- Light grey RAL 7035 (by default unless another color is indicated in the order)
- Dark green RAL 6007 (must be indicated in the order, no additional cost)

* Any color from the RAL palette to order (powder coated).

Specifications

Model	External dimensions [mm]			Internal dimensions [mm]			Weight [kg]	Capacity [l]
	H	W	D	H	W	D		
MLB 150P/5	1500	300	350	1490	280	240	83	108
MLB 150P/6	1500	400	440	1490	380	350	99	176
MLB 150S/6	1500	400	440	1490	380	350	101	176
MLB 150P/10	1500	600	440	1490	580	350	121	302
MLB 150S/10	1500	600	440	1490	580	350	123	302
MLB 150D/6	1500	600	440	1490	580	350	146	302
MLB 150S/14	1500	800	440	1490	780	350	153	407
MLB 150D/10	1500	800	440	1490	780	350	170	407

MLB Gun Safes, grade S1

Model	Combination of two locks*
MLB150P/5	NO
MLB 150P/6	NO
MLB 150S/6	NO
MLB 150P/10	YES
MLB 150S/10	YES
MLB 150D/6	YES
MLB 150S/14	YES
MLB 150D/10	YES

* Can be mounted as additional equipment.

Separately lockable internal box	Internal dimensions [mm]			Door clearance [mm]	
	H	W	D	H	W
MLB 150S/6	204	390	150	160	165
MLB 150S/10	204	590	150	160	365
MLB 150D/6	204	590	150	160	365
MLB 150S/14	204	790	150	160	565
MLB 150D/10	204	790	150	160	565

Model	Door opening radius R [mm]	Door clearance [mm]	
		H	W
MLB 150P/5	189	1410	154
MLB 150P/6	289	1410	254
MLB 150S/6	289	1410	254
MLB 150P/10	489	1410	454
MLB 150S/10	489	1410	454
MLB 150D/6	489	1410	454
MLB150S/14	689	1410	654
MLB 150D/10	689	1410	654

Installation

Safes are mounted to the floor using two steel expansion connectors (Fig. 1).

MLB Gun Safes, grade S1

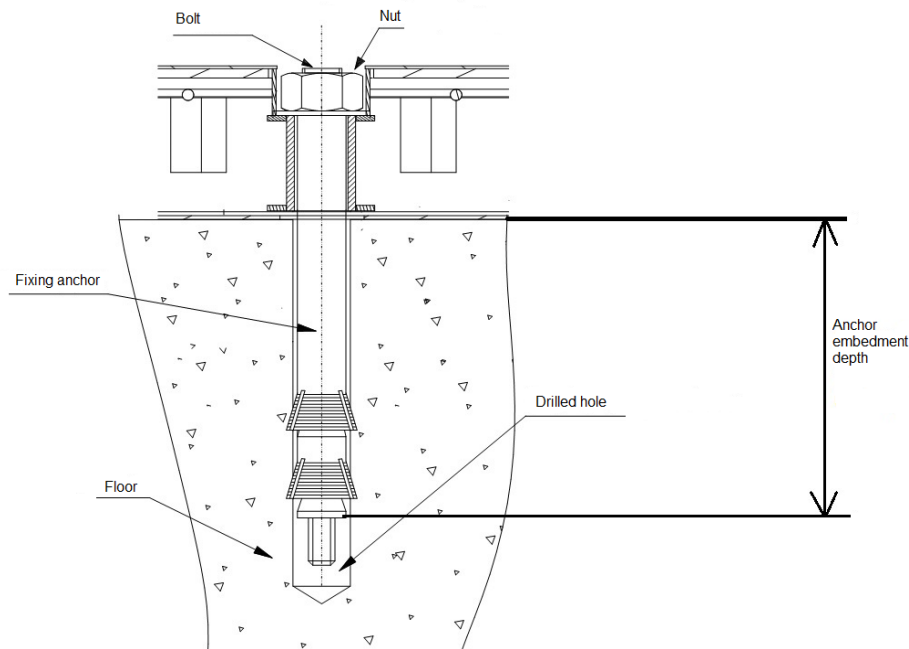


Fig. 1

Anchoring depth min. 65 mm.
Concrete min. C16/20

➤ **In order to anchor the safe to the floor, the following steps should be taken:**

1. Place the safe in the final location.
2. Drill holes in the floor through the perforation in the device to the depth corresponding with the length of the expansion connector.
3. Place the safe so that the perforations in its bottom and the holes in the floor coincide.
4. Insert the anchor and fasten the nut. If the connector's bolt protrudes above the bottom of the safe's interior after fastening the nut, loosen the nut, drill the bolt using a screwdriver and fasten the nut again.

➤ **If the safe is too small to drill holes in the floor through the perforations in the safe (the drill does not fit into the safe, for example when interior boxes are present), the following should be done:**

1. Measure the spacing between the perforations in the safe's bottom.
2. Mark the location of the perforations on the floor.
3. Drill holes in the floor to the depth corresponding with the length of the expansion connector.
4. Place the safe so that the perforations in its bottom and the holes in the floor coincide.
5. Insert the anchor and fasten the nut. If the connector's bolt protrudes above the bottom of the safe's interior after fastening the nut, loosen the nut, drill the bolt using a screwdriver and fasten the nut again.

Operation - opening

➤ **Opening devices only equipped with a key lock:**

1. Insert the key to the lock hole.
2. Rotate the key clockwise by more than 90° (more than ¼ of a rotation). Resistance is proof of the lock opening, the key should stay in the lock (the construction of the key lock disables the removal of the key in the lock's open position).

MLB Gun Safes, grade S1

3. Rotate the handle clockwise by approx. 70° (almost 1/5 of a rotation). Resistance is proof of unblocking the doors mechanisms.
4. The device is opened after pulling the door outwards.

> **Opening devices only equipped with a combination or electronic lock:**

1. Open the combination/ electronic lock by following the steps described in the attached combination / electronic lock manual.
2. Rotate the handle clockwise by approx. 70° (almost 1/5 of a rotation). Resistance is proof of unblocking the door's mechanisms.
3. The device is opened after pulling the door outwards.

Opening devices equipped with a key and combination lock:

1. Open the combination lock by following the steps described in the attached combination lock manual.
2. Insert the key to the lock hole.
3. Rotate the key clockwise by more than 90° (more than 1/4 of a rotation). Resistance is proof of the lock opening, the key should stay in the lock (the construction of the key lock disables the removal of the key in the lock's open position).
4. Rotate the handle clockwise by approx. 70° (almost 1/5 of a rotation). Resistance is proof of unblocking the door's mechanisms.
5. The device is opened after pulling the door outwards.

> **Opening devices equipped with two key locks:**

1. Insert the key to the first lock hole.
2. Rotate the key clockwise by more than 90° (more than 1/4 of a rotation). Resistance is proof of the lock opening, the key should stay in the lock (the construction of the key lock disables the removal of the key in the lock's open position).
3. Rotate the handle clockwise by approx. 70° (almost 1/5 of a rotation). Resistance is proof of unblocking the door's mechanisms.
4. The device is opened after pulling the door outwards.

Operation - closing

> **Closing devices equipped with a key lock:**

1. Hold the handle (bolts must be concealed), close the door by pushing it against the safe's body
2. Rotate the handle counterclockwise until resistance is felt, which proves that the door is bolted.
3. Rotate the key counterclockwise by more than 90° (1/4 of a rotation). Resistance is proof of the lock blocking, remove the key, the device is locked.

> **Closing devices equipped with a combination or electronic lock:**

1. Hold the handle (bolts must be concealed), close the door by pushing it against the safe's body.
2. Rotate the handle counterclockwise until resistance is felt, which proves that the door is bolted.
3. Close the combination/ electronic lock by following the steps described in the attached combination/ electronic lock manual.

> **Closing devices equipped with a key and combination or electronic lock:**

1. Hold the handle (bolts must be concealed), close the door by pushing it against the safe's body.
2. Rotate the handle counterclockwise until resistance is felt, which proves that the door is bolted.
3. Rotate the key counterclockwise by more than 90° (1/4 of a rotation). Resistance is proof of the lock blocking, remove the key, the device is locked.
4. Close the combination/ electronic lock by following the steps described in the attached combination/ electronic lock manual.

> **Closing devices equipped with two key locks:**

1. Hold the handle (bolts must be concealed), close the door by pushing it against the safe's body.
2. Rotate the handle counterclockwise until resistance is felt, which proves that the door is bolted.

MLB Gun Safes, grade S1

3. Rotate the key counterclockwise by more than 90° (1/4 of a rotation). Resistance is proof of the lock blocking, remove the key, the device is locked.
4. Repeat the procedure to block the second lock – the device is locked.

Installation of shelves

Safes are delivered with shelves packed separately and placed on the safe's bottom. After unwrapping the shelves, the shelf clips (in a bag) are located in the corresponding perforations in the battens (fig. 2). Place the shelves on the clips. The location of the shelves depends on the needs of the user and can be adjusted.

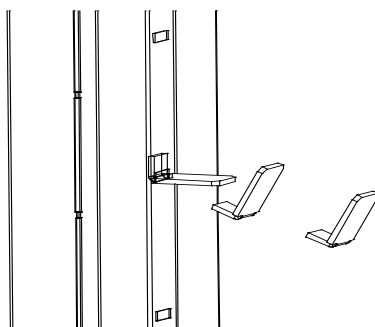


Fig. 2. Shelf clip mounting

Replacement of the electronic lock's battery

Note:

Replacement of the battery does not require guarantee seals to be broken.

One 9V battery is required for the replacement.

Follow the instructions below in order to replace the battery.

1. The location of the battery depends on the type of installed lock. Most often battery is located on the internal side of the safe door (in a suitable battery container) or external part of the lock (lock keyboard).
2. If the battery is located in an external lock keyboard:
 - a. Open the safe.
 - b. Remove the black cover of the battery compartment located on the inside of the safe door.
 - c. Replace the battery noting the polarity - the markings "+" and "-".
 - d. **Check correct operation of the lock while the safe door is open** (open and extend bolts several times).
 - e. If the lock operates correctly, replace the battery compartment cover and close the safe.
3. If the battery is inside the safe (most often on internal side of the safe door):
 - a. Open the safe.
 - b. Remove the black cover of the battery compartment located on the inside of the safe door.
 - c. Replace the battery noting the polarity - the markings "+" and "-".
 - d. **Check correct operation of the lock while the safe door is open** (open and extend bolts several times).
 - e. If the lock operates correctly, replace the battery compartment cover and close the safe.

MLB Gun Safes, grade S1

4. If the battery is located on the internal side of the safe door and the lock cannot be opened, as well as the safe door are closed:
 - a. Check whether the lock keypad has special contact pins to applicate additional battery and emergency lock opening.
 - b. Replace the battery noting the polarity - the markings "+" and "-".
 - c. Hold the whole time additional battery with the contact pins, open the lock with normal code and then unlock the safe door.
 - d. After unlocking the safe door additional battery can be detached and the old battery can be replaced as described above.

Warning: Make sure that the ends of the battery with positive and negative polarity are matched correctly, as marked in the battery compartment. If the battery is installed incorrectly, running the lock will not be possible.

There are locks supplied more than one battery, in such cases, replace all the batteries at the same time. Do not mix old and new batteries or mix batteries of different types (for example, alkaline and lithium batteries). Batteries should not be opened, punctured, loaded, installed, or exposed to fire, heat or water. It is recommended to only use alkaline or lithium batteries of known brands.

Use

1. Use the products in rooms protected against weather conditions, away from corrosive agents affecting metals. Relative humidity in the room not exceeding 75%. The device can operate in rooms with temperature ranges from +5·C to +40·C.
2. When closing or opening the product, pay special attention to any movable parts, such as drawers, doors. Incorrect operation of such parts may lead to injury, e.g. finger injury if you fail to remove your fingers from the space between drawer and body, or door and body.
3. Be careful about the bolts position when closing the door. Bolts must in any circumstances be hidden, otherwise you may cause permanent damage to the mechanisms.
4. Any manipulation or alteration to installed locks or mechanisms is forbidden under pain of invalidating your guarantee.
5. Locks and mechanisms can be installed during the guarantee period by authorized service personnel or by a user who has obtained written authorization of service department.
6. In case of a necessity to replace the keys, we recommend that the entire lockset be replaced.
7. Ensure to position the safe so that the door does not contact any obstacles directly.
8. Blocking mechanisms and locks should operate smoothly and without any interruption. In case of any objections as to proper operation of the above mentioned assemblies, you should notify KONSMETAL service department.
9. Should you have any complaints as to the delivered product, please report them to KONSMETAL service department.
10. We do not recommend making any alterations or corrections without the manufacturer's knowledge, even after the guarantee period.

Maintenance

> Doors:

You should lubricate the hinges as necessary, however at least once every three years, using appropriate bearing lubricant. All joints and contact surfaces of mechanisms should be lubricated with acid-free technical petrolatum every three years.

> Body:

Generally, the body does not require any special maintenance. The basic maintenance activity involves cleaning of the external housing of the body. Use a soft cloth moistened with mild detergent, then wipe the cleaned surface dry.

MLB Gun Safes, grade S1

Adjustment of hinges

MLB Gun Safes have internal hinges, so their adjustment is possible when the door is opened. To make an adjustment you need two hex keys of size 3 and 5.

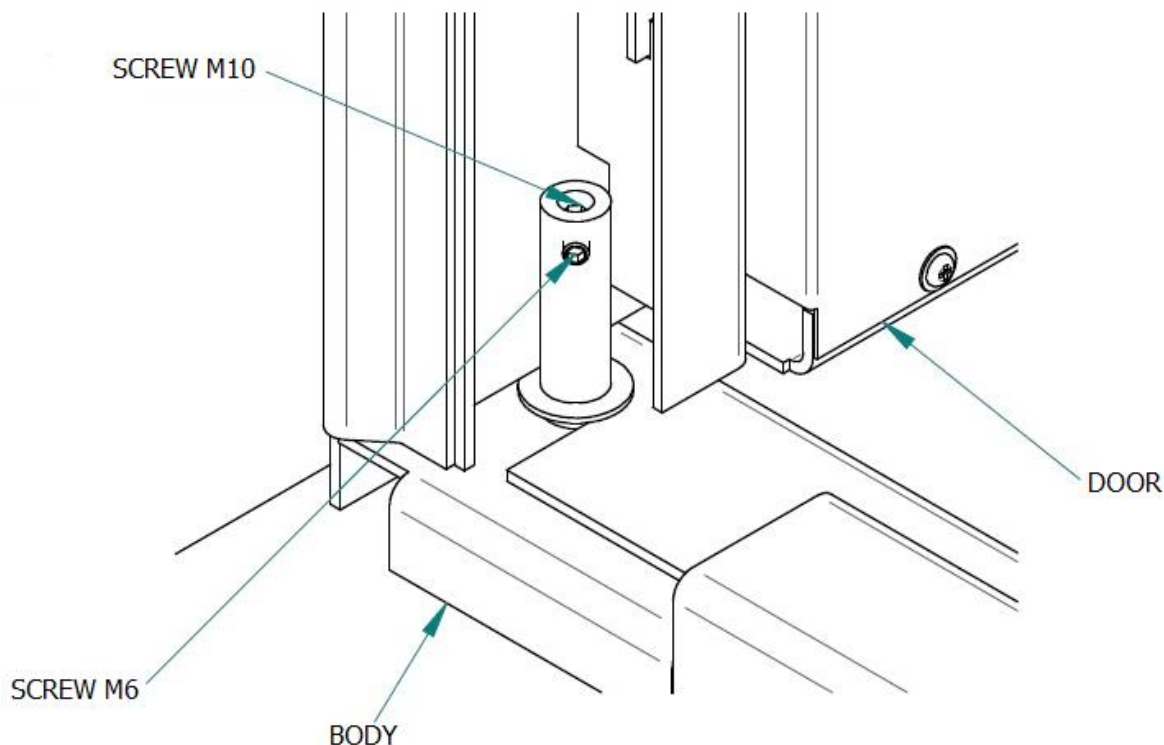


Fig. 3 Internal hinge (view from the inside of the safe)

► Adjustment of hinges is performed as follows:

1. Using hex key No. 3 loosen the screw M6 in the upper and lower hinge of the safe.
2. Using hex key No. 5 loosen the screw M10 in the upper hinge.
3. Height adjustment of the door is done using M10 screw of the lower hinge.
 - a. While tightening the screw M10 door are lifting.
 - b. While unscrewing M10 door are falling.
4. After setting the correct doorheight with the screw M10 of the lower hinge, tighten the screw M10 of the upper hinge, but not too tight (the door move freely).
5. At the end, tighten the screws M6 of both hinges to prevent twisting of the screws M10.

Adjustments is performed so that the slots on the top and bottom of the door were equal (control on half closed door of the safe). In case of problems, please contact the Service.

Most common problems and remedies

1. Key or combination lock does not close:

- a. Make sure bolts blocking the door opening are extended. If after their maximum ejection lock does not close, please contact the Service.

2. Combination lock cannot be opened despite selecting the correct code:

- a. Make sure the other person has not changed the code.
- b. Make sure that the base of the lock knob with the code set marker does not come loose and the marker is not moved aside from its original position – if so, try to set code in different positions of the marker and then contact the Service to improve the fixing base.

MLB Gun Safes, grade S1

3. Electronic lock works differently than usual – sounds are different and/or diode blinks:

- a. Check the manual of the lock whether lock signals low battery – if so, replace the battery immediately with a new one according to the lock manual.
- b. Make sure that it is not related to entering the wrong code. Detailed information on the unusual situation signaling by the relevant model of the lock can be found in the lock manual. **WARNING!** Triple attempt of entering the wrong code moves the lock into 'punishment' mode which means that the lock will not accept any code for a certain time. To open the lock you must wait for a certain time defined for that lock and then enter the correct code. Details are given in the lock manual.

4. Electronic lock makes no sound or does not open:

- a. Replace the battery or connect a new battery with the emergency power supply contact pins (depending on the model of the lock – see the lock manual) and then try to open the lock. If the lock still does not open please contact the Service.

Contact details to the KONSMETAL Service

phone: **+48 89 625 37 99** (Monday – Friday: 8-16)

e-mail: **serwis@konsmetal.pl**

When contacting the Service keep prepared the following data (if possible):

- Device model
- Purchase date
- Serial number (from the nameplate located inside the device)

In order to verify whether the product is under warranty in most cases it is sufficient to give the serial number from the nameplate. Sometimes you will need proof of purchase or warranty card with purchase date and vendor's stamp.